

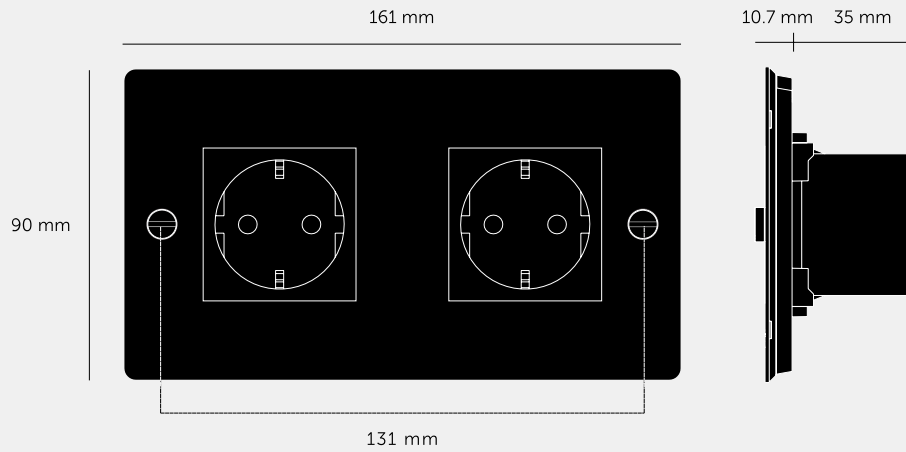
**2G SOCKET /
SCHUKO TYPE F /
WITHOUT LOGO**

ACTION: POWER OUTLET

RANGE: POWER OUTLETS

A power outlet finished with a solid metal flat plate and our signature coin screws. Available in five different finishes, they can be used in combination with our matching dimmers and toggle switches.





SPECIFICATIONS

Module Code: CSM-021896/ CSM-141904 (2 per unit)

Style: Schuko Socket Type F

Outlet: 250 V ~ / 50-60 Hz / 16A

*Certified for use in UK, Europe and Russia: UKCA / CE / EAC

INCLUDED

1 x 2G Schuko Socket

FINISH & SKU NUMBERS

finish:

size:

PLEASE NOTE

DISCLAIMER: Always consult a trade professional when installing this product. Buster + Punch is not responsible for the usage or feasibility of installation requirements. This product is not suitable for damp or wet environments.

CARE INSTRUCTIONS

Wipe with a dry lint free cloth with no loose hairs, avoid using any chemicals. Please note that finishes may age naturally with time and regular use.