

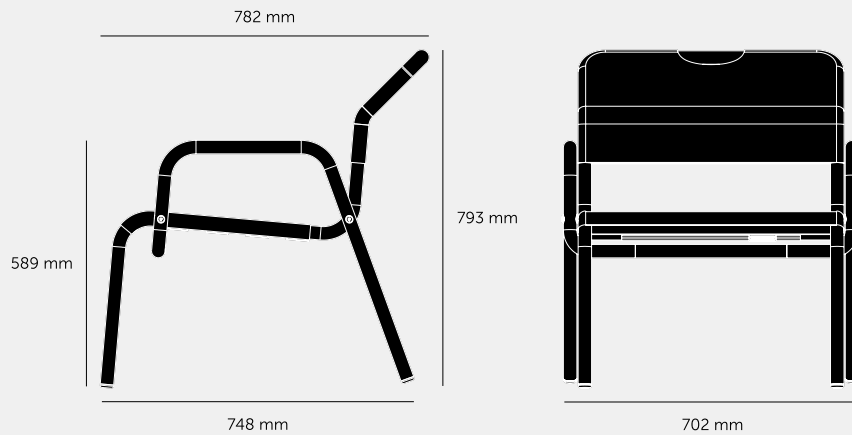
THE CHOPPER CHAIR

ACTION: CHAIR

RANGE: FURNITURE

A lounge chair with an oversized steel frame, finished in black chrome. Comes complete with a replaceable 3 mm thick, black, full grain leather seat cover and backrest. The chair is finished with solid brass 'B+P' logo caps. This lounge chair is stackable. Belt buckles on the underside of the seat cover allow for future adjustment. FYI: This product is shipped flat-packed to reduce emissions and save resources. Installation is easy and requires just six screws (supplied).





SPECIFICATIONS

A stackable lounge chair with an oversized steel frame, finished in black chrome. Comes with a 3mm thick full grain leather seat and backrest, plus Buster + Punch logo caps in brass. Stackable and lightweight for placement and styling. Replaceable leather seat and backrest. Adjustable buckles under seat for fine tuning comfort. NOTE: We recommend assembling on a soft or carpeted surface.

INCLUDED

1 x CHOPPER CHAIR SET:
 1 x Leather Backrest
 1 x Leather Seat
 1 x Leg "L"
 1 x Leg "R"
 1 x Arm "L"
 1 x Arm "R"
 1 x Cross bar
 1 x Back Bar
 4 x M10 x 50 Screws
 4 x M6 x 10 Screws
 1 x M10 Allen Key
 1 x M6 Allen Key

FINISH & SKU NUMBERS

sku:	finish:	size:
UCC-933535	black chrome / black leather	

PLEASE NOTE

DISCLAIMER: always consult a trade professional when assembling this Chopper Chair. Buster + Punch is not responsible for the usage or assembly requirements.

CARE INSTRUCTIONS

Clean regularly with a soft, dry cloth or duster. For heavier cleaning, wash using a soft cloth and mild soapy water then dry immediately with a clean, soft cloth. Rubbing or wiping should be carried out in the direction of the polish lines, not across them. DO NOT use oily rags or greasy cloths when wiping the product surface. We recommend regular conditioning for the leather seat and backrest.